

Sal-Tech Easy Packaging

Fully Automatic Pallet Strapping Machines



Full range of machine for fully automated pallet strapping

STEP TP-733V Series (VM, VLM) POLLUX

Fully Automatic Strapping Machine for Vertical Applications

The STEP TP-733V Series is a fully automatic pallet strapping machine designed for packaging applications that require vertical strapping. It secures palletized package by vertical strapping with P.P. or PET straps. The STEP TP-733V Series can accommodate a wide variety of products and can be easily integrated with new or existing production lines. With the user friendly and state-of-the-art design, STEP TP-733V Series provides excellent package performance, greater production efficiency and lower packaging cost.

Options

- Floating Head
- Top press
- Failure indicator
- Free standing operation desk
- HMI on the opposite side
- Strap Dispenser in transport direction
- Lower tension 200 – 1200 N (20 – 120 kg)



Features

Available in Different Models:

- STEP TP-733V closed strap track, fixed strapping head
 - Item no.: 41203120
- STEP TP-733VM closed strap track, index strapping head
 - Item no.: 41203130
- STEP TP-733VLM with movable lance, index strapping head
 - Item no.: 41203140

Friction Weld and Adjustable Sealing and Cooling Time

Guaranteed reliable joint and high sealing efficiency, tension up to 3000N (300 kg). No fumes and odors. The sealing time and cooling time are adjustable. Guaranteed high sealing efficiency.

Modular Arch

Modular arch design for easy arch size change.

Index Strapping Head

During the strapping cycle, the strapping head is movable towards the package with stroke of max. 500 mm. The strapping is done as close as possible to the package for maximum strap containment efficiency.

Movable Strap Lance

Feed the strap between the pallet void to strap palletized goods.

Strapping Head

Robust mechanism design and high engineering standard strapping head.

It comes with a variety of features that make it simple to operate and easy to maintain.



Open arch with lance



Specifications

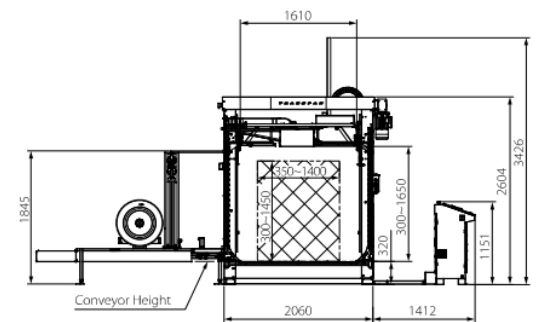
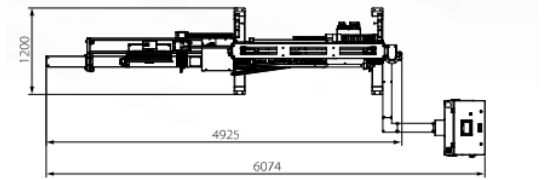
Strap Type	P.P. or PET straps
Strap Width	9mm, 12mm, 15.5mm
Strap Core Size	406mm
Strap Tension	1100-3000N (Standard) 200-1200N (optional)
Speed	11 seconds per cycle (depends on package dimension and arch size)
Net Weight	737kg (Standard Size)
Electrical Requirements	3 Phase According to Local Standard
Arch Standard	W1400xH2450

STEP TP-733VTS ZELOS

STEP TP-733 VTS Fully Automatic Vertical Pallet Strapping Machine with top seal

The STEP TP-733 VTS Fully Automatic Vertical Pallet Strapping Machine with top seal over many advantages in environments that are dusty or moist, also an advantage for stabilizing the load on the pallet before strapping it to the pallet. Suitable for low pallet heights as well as higher pallets within the machine maximum limits

- Standard size W1600xH1650
- Capacity up to 63 pallets/hour with double parallel strap
- For PP or PET strap 9, 12, 15.5 or 19mm
- Tension 1.100-3.200N option 200-1.200N
- Core Ø406
- Min pallet W350xH300
- Electrical 220-415V as per demand 50-60Hz 3phase
- Conveyor shown not included in standard machine
- STEP Item no.: 41203110



Arch Sizes

H	W	1600	2000	2400
1650	Standard	•	•	•
2050		•	•	•
2450		•	•	•
2850		•	•	•

- On Order basis



STEP TP-733H CASTOR

Fully-Auto Pallet Strapping

Machine for Horizontal Strapping Applications

TP-733H is a fully automatic pallet strapping machine designed for packaging applications that require horizontal strapping. It secures pallet loads and stacked boxes by horizontal strapping with P.P. or PET straps. The TP-733H can accommodate

a wide variety of products and be easily integrated with new or existing production lines. With the user friendly and state-of-the-art design, TP-733H helps maximize uptime for greater production efficiency and lower packaging cost.



Features

- STEP ARES TP-733-SH strapping head
- Index strapping head
- Strap guide arm
- Safety rack
- Friction weld sealing technology
- Siemens PLC and HMI
- Free access to strap guides
- Swivel dispenser set
- Adjustable sealing and cooling time
- Strap end ejector
- Preprogram setting
- Easy to retrofit

The enhanced **STEP TP-733H** provides accurate strapping output on all natural-sized loads with consistent performance. It maximizes the productivity and minimizes the production cost for users. Designed for simple and quick connection to the master control system, STEP TP-733H can easily fit in various end-of-line packaging sectors. It is your best choice for fully automatic operation in various applications, including palletized products, home appliance, bricks & blocks, etc.

Arch sizes standard: 1400W x 1450L

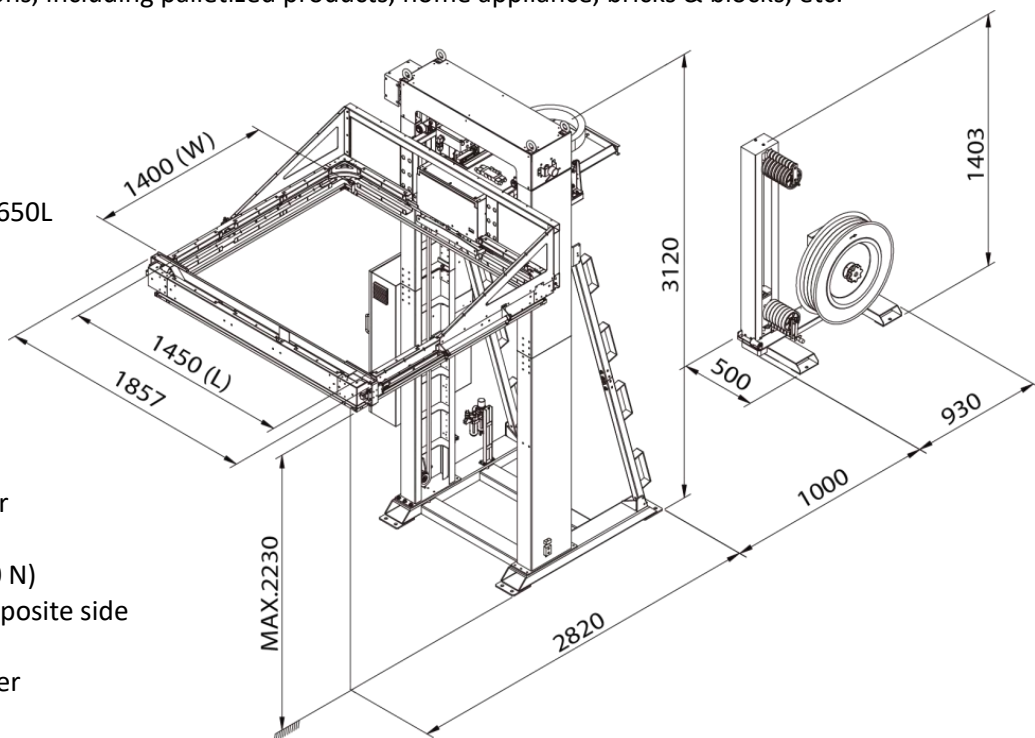
Optional arch sizes:

1600Wx1450L, 1600Wx1650L, 1400Wx1650L

Special on demand.

Options

- Floating Head
- Free standing operation desk
- Light tower with low strap sensor
- Dual channel E-Stop
- Lower tension range (200 – 1200 N)
- HMI and PLC mounted on the opposite side
- No safety rack
- 200 mm / 280 mm strap dispenser
- Uplifted support
- Maximum package height up to 2700 mm
- Strap program selecting by remote control (4-bit binary input)



Technical Data

Capacity	Up to 60 pallets/hour (3 parallel straps)
Strap Type	PP or PET strapping
Strap Width	12 mm, 15.5 mm, or 19 mm
Tension Range	1100 – 3200 N (standard) 200 – 1200 N (optional)
Minimum Strapping Height	(a) With conveyor: 160 mm above conveyor surface (b) Without conveyor: 240 mm above floor
Maximum Package Height	2200 mm
Strap Core Size	406 mm
Pneumatic Source & Air Consumption	6 bar 7.1 liter/cycle
Electrical Requirements	220V, 380V, 400V, 415V 50/60Hz 3PH
STEP Item no.	41203150

**Index Strapping Head**

During the strapping cycle, the strapping head is movable towards the package with stroke of max. 300 mm for maximum strap containment efficiency.

**Strap Guide Arm**

To ensure precise strap position to the load.

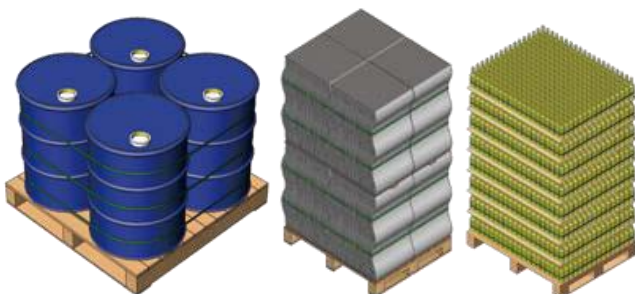
**Safety Rack**

Underneath the arch to ensure the highest

**PLC Control and HMI**

The PLC control and HMI (touch panel) provide easy adjustments, operating instructions and troubleshooting guides. Easy TEACH-IN programming. User friendly.

It has 10 strapping patterns with up to 10 different strapping positions. There is no need to adjust the setting when changing to different package sizes. Reduce downtime and save cost.



STEP ARES TP-733-SH Strapping Head



STEP TP-733-SH Strapping Head

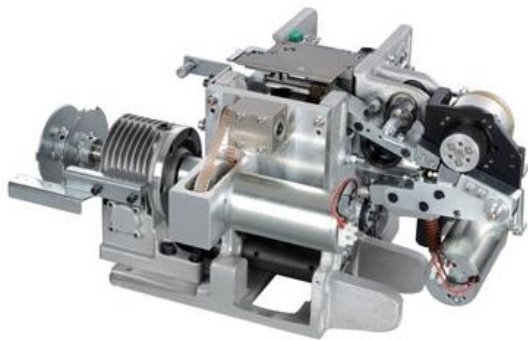
STEP ARES TP-733-SH blends the latest DC brushless motor technology with human-centered design. All the transmission is driven directly by motors or through gears. The robust and compact design with advanced production process, fulfilling the need in a higher standard while keeping consistent Transpak quality. It offers the maximum value but costs the least.

Features

- Reliable robust mechanism design and high engineering standard
- Friction weld sealing technology, no fumes, and odors
- Tension forces up to **3,200 N (320 kg)**
- Suitable for **PP and PET** strapping, width 9mm, 12 mm, 15.5 mm, or 19 mm
- Easy to change to different strap width
- Free access to strap guides
- Easy to retrofit into new and existing pallet strapping machines

STEP TP-601YPT-SH Medium Duty Strapping Head

STEP TP-601YPT-SH is the strapping head designed for both PP and PET strapping. It is ideal for medium duty pallet strapping machines.



Features

- Reliable robust mechanism design and high engineering standard
- Friction weld sealing technology, no fumes, and odors
- Tension forces up to **1,500 N (150 kg)**
- Suitable for **PP and PET** strapping, width 9 mm, 12 mm, or 15.5 mm

STEP Item no.: 41201120

STEP TP-601YPT-SH Medium Duty Strapping Head

STEP TP-601D-SH is the strapping head designed for PP strapping. It is ideal for light duty pallet strapping machines.



Features

- Reliable mechanism design and high engineering standard
- Heat sealing
- Tension force up to **700 N (70 kg)**
- Suitable for **PP** strapping, width 9 mm or 12 mm

STEP Item no.: 41201130